

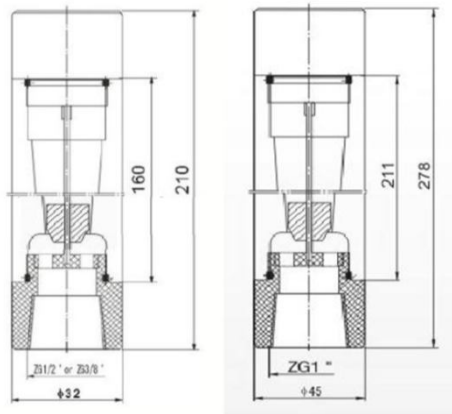
MEASURE ASPECT

LZM PIPE SERIES FLOW GAUGE

SERIES	CONNECTION		FLOW RATE	
	SIZE	MATERIAL	GPM	LPM
LZM PIPE SERIES	DN 15 THREAD	SUS / ABS	0.05 - 0.5	0.2 - 2
			0.1 - 0.8	0.5 - 3
			0.1 - 1	0.5 - 4
			0.2 - 2	1 - 7
			0.3 - 3	1 - 11
			0.5 - 5	2 - 18
	DN 25 THREAD	SUS / ABS	1 - 11	4 - 40
			2 - 16	12 - 60
			2 - 20	10 - 70
			5 - 35	10 - 100
			5 - 35	30 - 130
			5 - 40	15 - 150
		5 - 45	15 - 170	

SPECIFICATION

DIMENSION



DN 15

DN 25



SPECIFICATION

ACCURACY	: 4%
WORKING PRESSURE	: 0.6 Mpa
WORKING TEMPERATURE	: 0 - 60°C
APPLICATION	: Water
ACRYLIC BODY	